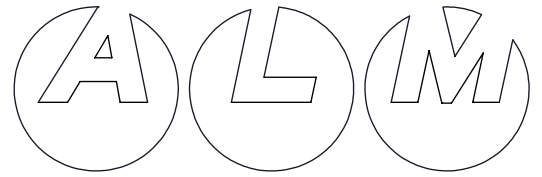


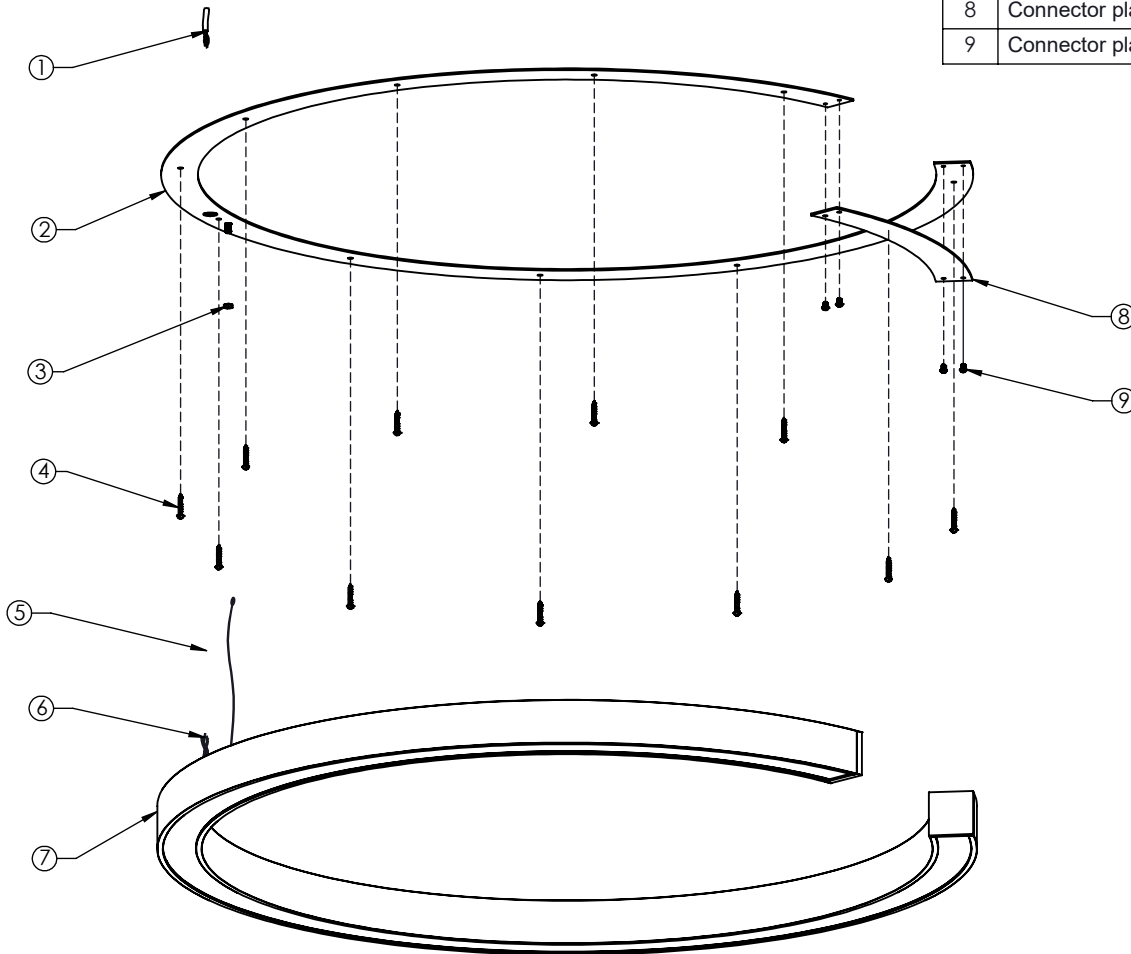
Secant 50

SURFACE

INSTALLATION INSTRUCTIONS



1	Power feed (by others)
2	Mounting plate
3	Fixture safety cable mounting nut
4	Mounting hardware (provided)
5	Fixture safety cable
6	Fixture power wires
7	Fixture housing
8	Connector plate
9	Connector plate mounting screw (x4)



INSTRUCTIONS:

1. Remove the mounting plate from the fixture assembly (it is secured by magnets).
2. Secure the connector plate onto mounting plate using screws provided.
3. Bring the electrical power feed through the hole in the mounting plate and secure mounting plate to the ceiling / wall using hardware provided.
4. Remove the connector plate (it is no longer needed).
5. Bring the fixture housing close to the mounting plate and secure the fixture safety cable to the mounting plate using nut provided.
6. Splice the fixture power wires and power feed as required.
7. Secure the fixture housing into place (by magnets).
8. Energize.

GENERAL NOTE:

- * Turn power off before beginning.
- * Do not connect to an ungrounded supply.
- * Consult a qualified electrician to ensure correct branch circuit conductor.
- * This product must be installed in accordance with the applicable installation code by a person familiar with the construction and operation of the product and the hazards involved.
- * Save these instructions.